

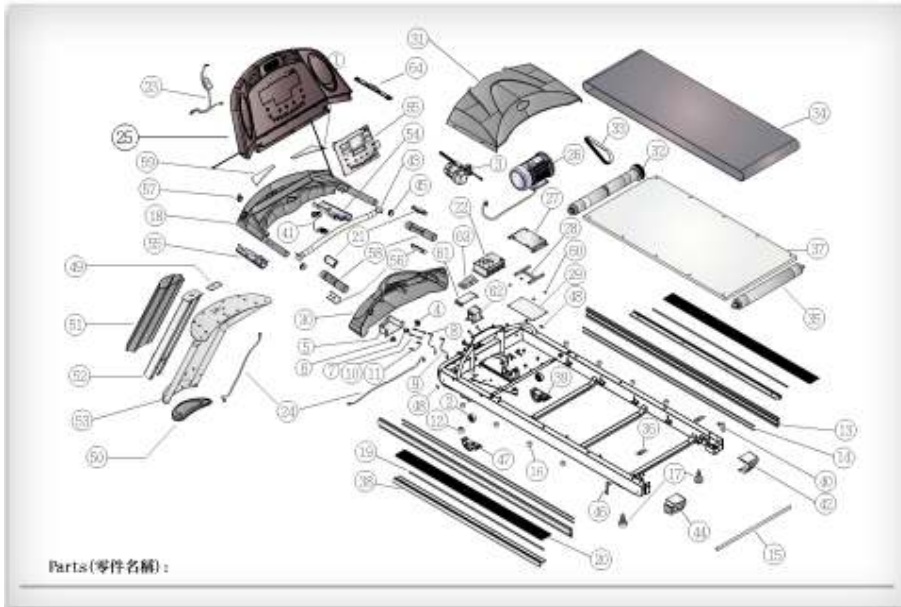
1.點選查閱零件(View Parts)進入

Click "Viewparts" to view the exploded drawing parts.

Have selected			
編號 (NO.)	產品型號 (Product name)	說明 (Product state)	查閱零件清單 (Parts list)
13	T790		Viewparts

2.點選想要訂購之零件，按下確認即至清單中。

Click the parts and press Enter to confirm.



3.輸入清單中之數量、機種序號，並勾選是否在保固期限內，也可在下方輸入訂單號碼或備註，按下送出(Send)後即完成訂購，請靜候 HealthStream Sales 與您聯絡，謝謝。

Type the "quantity and serial number", click "under warranty" or not. Also can type PI# and any remarks. Please press "Send" to confirm the order. Thank you for waiting and Healthstream will contact you lately.

NO. 編號	ERP # 零件編號	Description 品名規格	QTY 數量	Under warranty 保固期限內	Serial number 機號序號	delete ?
13	S005216	Side landing assy		<input type="checkbox"/>	_____	delete
15	M000008	Fixed shaft	_____	<input type="checkbox"/>	_____	delete
18	S004902	Console base assy	_____	<input type="checkbox"/>	_____	delete
25	S004479	Console sub assy	_____	<input type="checkbox"/>	_____	delete
30	M003519	Front motor cover	_____	<input type="checkbox"/>	_____	delete
31	M003515	Motor cover	_____	<input type="checkbox"/>	_____	delete
37	M003485	Deck	_____	<input type="checkbox"/>	_____	delete
38	M004978	Aluminium side landing	_____	<input type="checkbox"/>	_____	delete
53	S004901	Upright post welded	_____	<input type="checkbox"/>	_____	delete
62	M002996	Choke	_____	<input type="checkbox"/>	_____	delete

PI number :

Remarks :

Send

Reset

HEALTHSTREAM